



Cam-action
door closers

DORMA

TS 92

TS 91

The universal closers for standard doors – tested and approved to EN 1154

As units designed especially for interior applications, the DORMA TS 92 and TS 91 door closers constitute the perfect complement to the DORMA TS 93 cam-action door closer system. They likewise come in the Softline design and, thanks to their linear drive mechanism with heart-shaped cam, they offer the same ease of use.

Moreover, their competitive pricing combined with their outstanding level of assured quality make them particularly attractive from an economic standpoint as well.



Benefits

for the trade

- Inexpensive cam-action technology for standard interior doors.
- Low storage costs and reduced inventory requirement thanks to uniform slide channels of the Softline series.

for the fabricator

- Non-handed.
- Easy to fix and quickly adjustable.

for the architect/specifier

- Excellent value for money.
- Uniform appearance throughout the entire Softline slide channel range.

for the user

- Exceptional ease of use and fully controlled closing action.
- Optimum adaptability of the closing speed with reliable latching thanks to two regulating valves.

Data and features		TS 92 B/G ¹⁾	TS 91 B
Closing force	EN size	2-4	3
Adjustable		●	-
Standard doors ²⁾	up to 950 mm	-	●
	up to 1100 mm	●	-
External doors, outward opening ²⁾		-	-
Fire and smoke check doors		●	●
Non-handed design		●	●
Arm assembly	Slide channel	●	●
Closing speed and latching action independently adjustable	180°-15°		
	15°- 0°	●	●
at two separate valves			
Cushioned limit stay, mechanical		○	○
Backcheck		-	-
Delayed action		-	-
Hold-open		○	○
Weight in kg		2,0	1,9
Dimensions in mm	Length	279	265
	Overall depth	47	47
	Height	65	65
Door closer approved to EN 1154		●	●

● yes - no ○ option

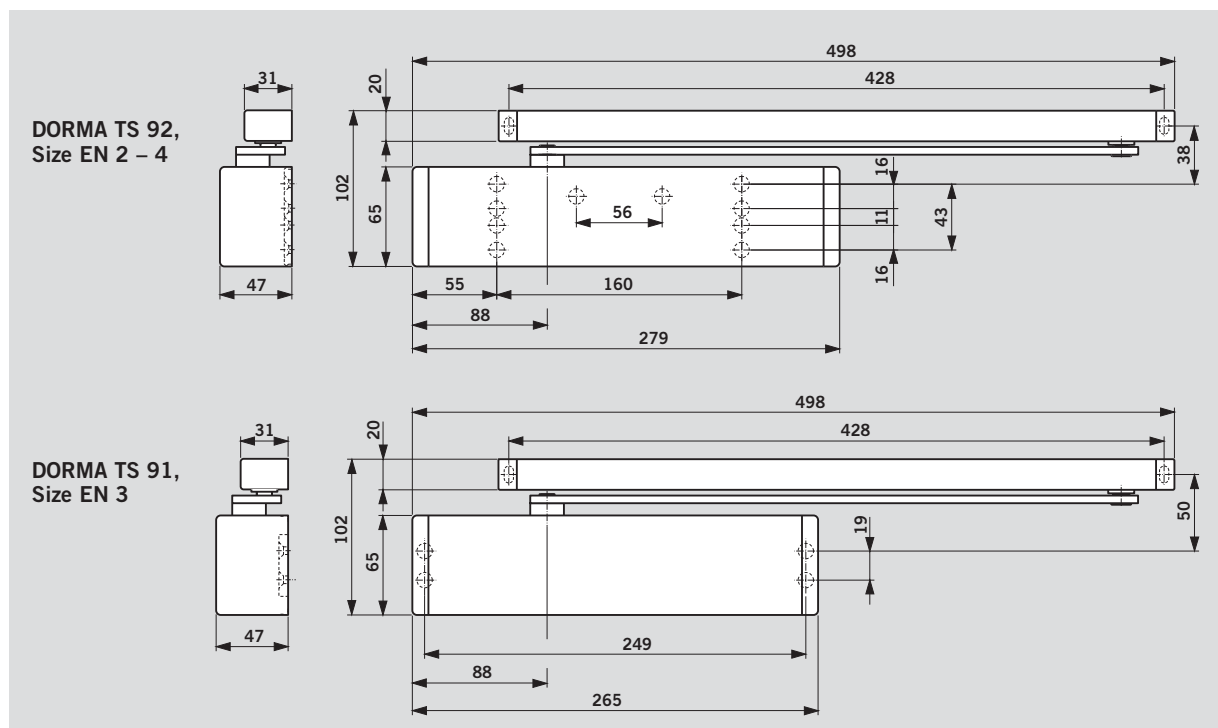
¹⁾ B = Standard model for pull-side door leaf fixing/push-side transom fixing.

G = Special model for push-side door leaf fixing/pull-side transom fixing.

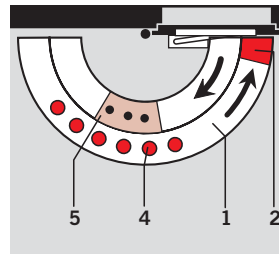
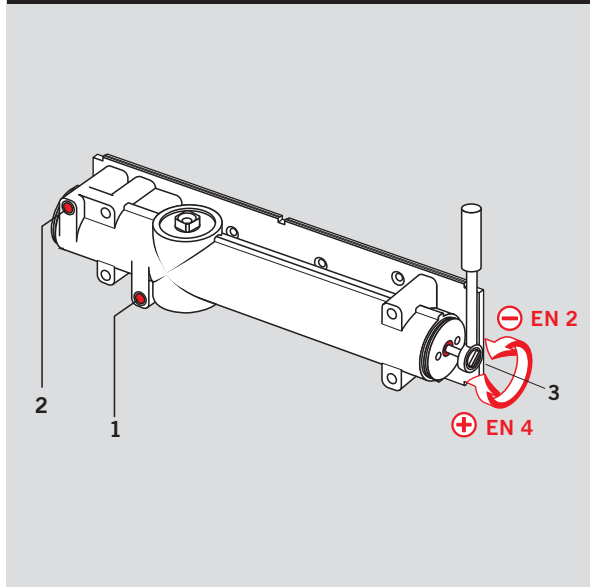
²⁾ For particularly heavy doors and doors which have to close against wind resistance, we recommend the DORMA TS 93.



The TS 92/TS 91 complies with the requirements and/or recommendations of the following:
CERTIFIRE approved for fire doors ITT 120; Ref. CF 119



DORMA TS 92 B/G

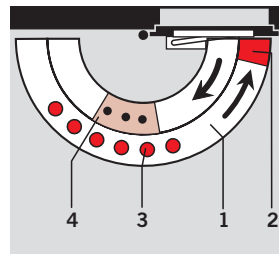
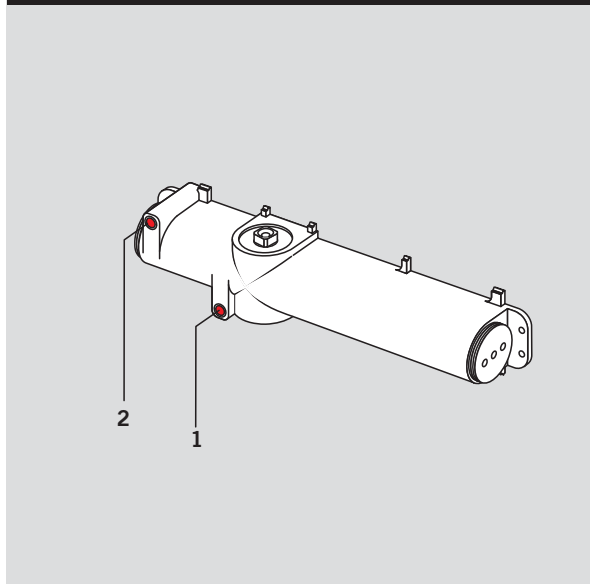


- 1 Variable closing speed in the range 180°–15°
- 2 Variable latching speed in the range 15°–0°
- 3 Infinitely variable closing force
- 4 Hold-open (option)
- 5 Cushioned limit stay (option)

The **closing speed** of the DORMA TS 92 is individually adjustable over two independent ranges at two separate valves.

The **closing force setting (spring strength)** for the relevant door width is adjusted with the DORMA TS 92 at an infinitely variable lateral adjustment screw.

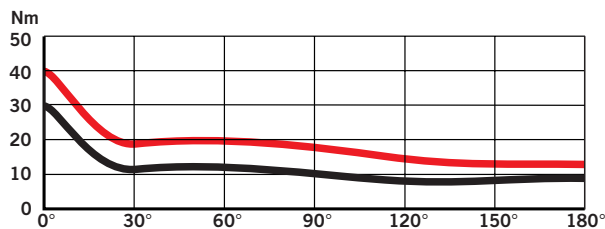
DORMA TS 91 B



- 1 Infinitely variable closing speed in the range 180°–15°
- 2 Infinitely variable latching speed in the range 15°–0°
- 3 Hold-open (option)
- 4 Cushioned limit stay (option)

The **closing speed** of the DORMA TS 91 is individually adjustable over two independent ranges at two separate valves.

The **closing force (spring strength)** in the DORMA TS 91 is permanently set to size EN 3.



Force profile
Example: DORMA TS 92 B
Closing force setting:
size EN 4

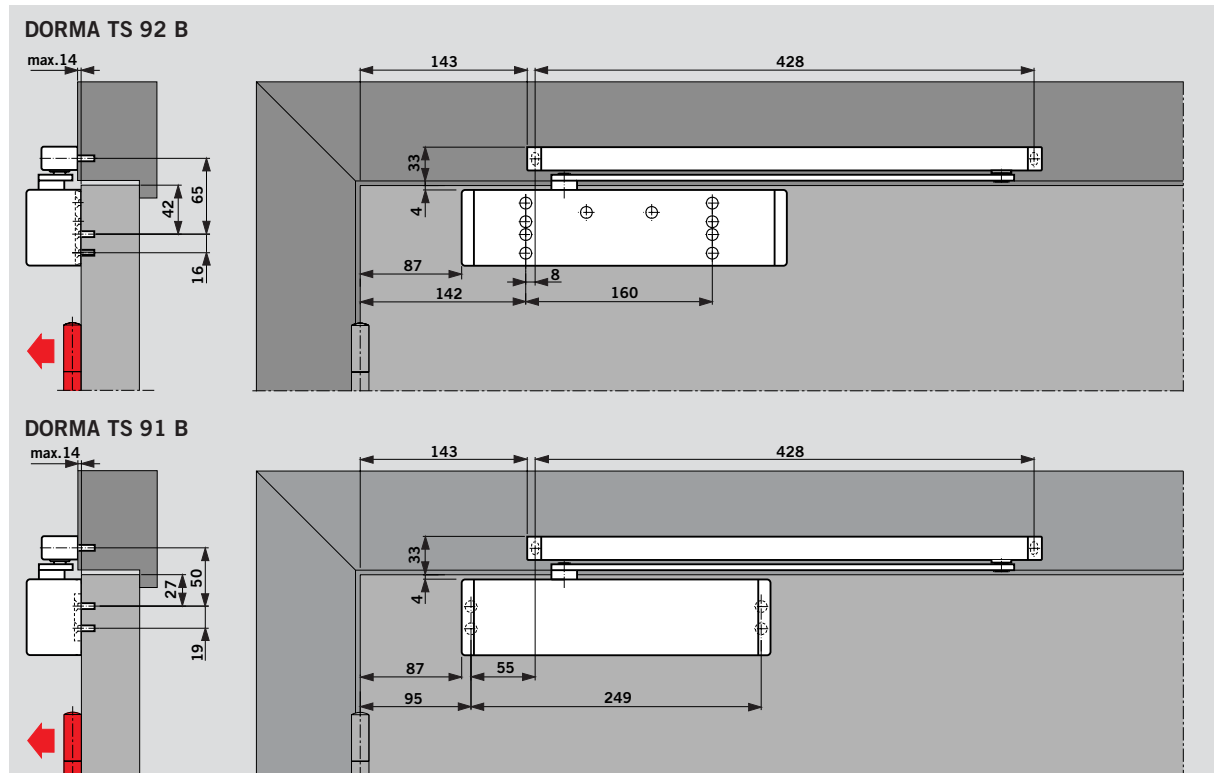
— Opening resistance
— Closing force



The heart-shaped cam and the linear drive mechanism which characterise all DORMA cam-

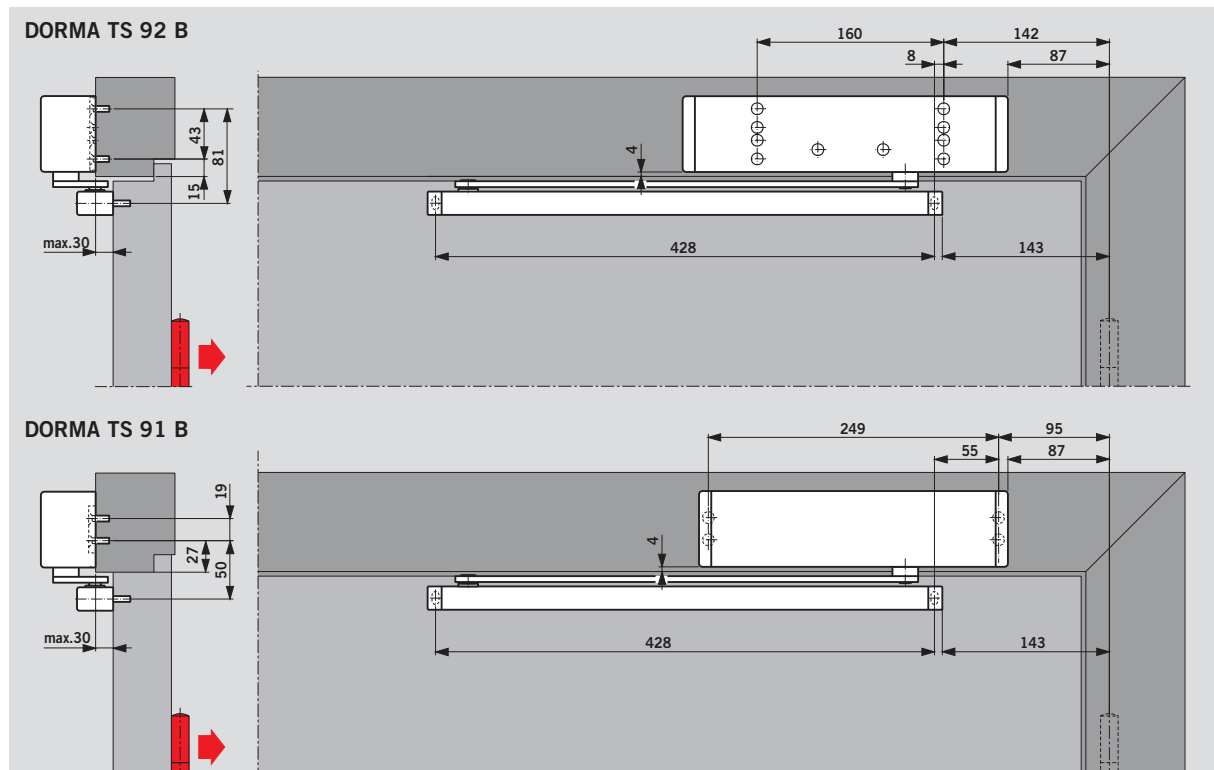
action door closers produce a rapidly decreasing opening torque, so greatly reducing the amount of effort required. This means that even children, the elderly and the disabled can open doors with ease. The user-friendliness of the system is further enhanced by the reliable latching action achieved by the fact that the closing force only rises in the end phase of the cycle.

Door leaf fixing, pull side (example shows LH [ISO 6] door; RH [ISO 5] doors mirrored arrangement)



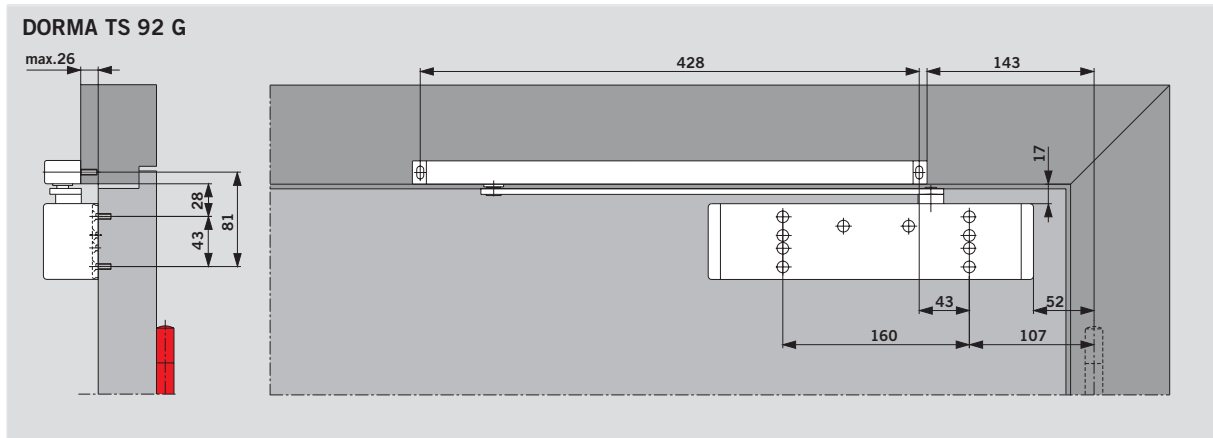
Provided the structural conditions allow, an opening angle of 180° is possible with this method of fixing. In most cases, however, a wall recess will have to be provided for the door closer.

Transom fixing, push side (example shows LH [ISO 6] door; RH [ISO 5] doors mirrored arrangement)



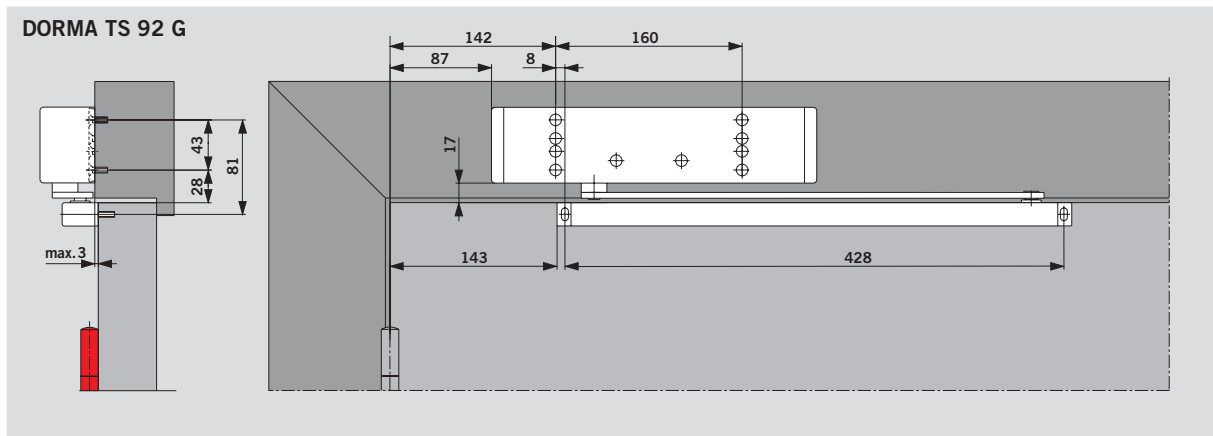
Depending on the structural conditions, the door opening angle with this method of fixing is limited to approx. 120° to 145°. In order to avoid damage to the door or door closer, users are recommended to install a cushioned backstay or a door stop.

Door leaf fixing, push side (example shows LH [ISO 6] door; RH [ISO 5] doors mirrored arrangement)



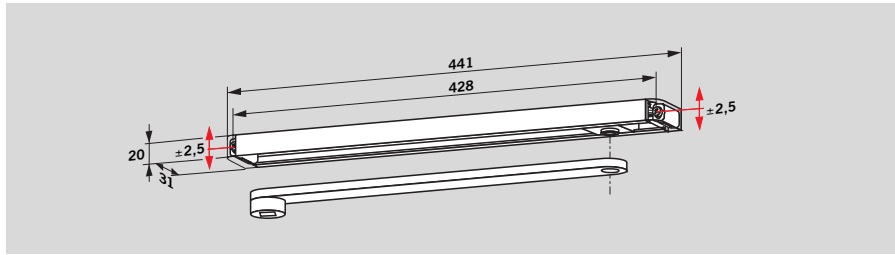
Depending on the structural conditions, the door opening angle with this method of fixing is limited to approx. 120° to 145°. In order to avoid damage to the door or door closer, users are recommended to install a cushioned backstay or a door stop.

Transom fixing, pull side (example shows LH [ISO 6] door; RH [ISO 5] doors mirrored arrangement)



Provided the structural conditions allow, an opening angle of 180° is possible with this method of fixing.

Slide channel

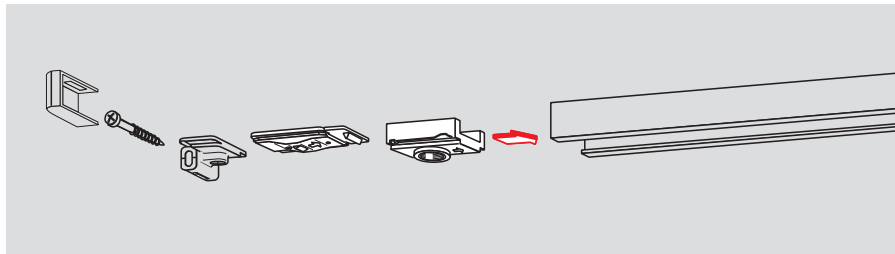


The **DORMA G-N** slide channel assembly comprises the main arm, slide channel, slide block, fixings, screws and end caps. The DORMA G-N slide channel

is non-handed and can be combined with both door closers. Thanks to oblong holes in the fixing pads, it is possible to compensate for deviations in the drill hole

pattern and to keep the door closer body and slide channel perfectly parallel.

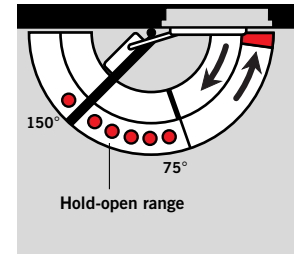
Hold-open unit



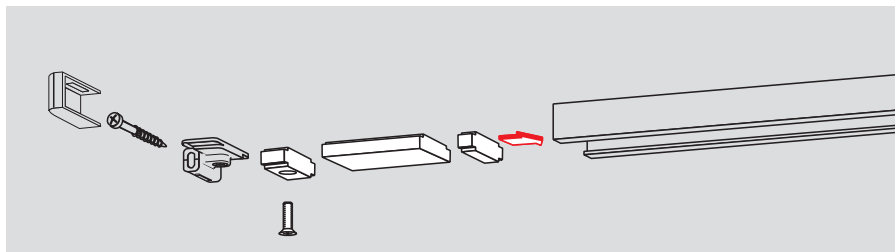
The DORMA RF mechanical hold-open unit ensures that doors are held open at precisely the correct angle – up to approx. 150° – without any fallback.

The hold-open unit can be switched on and off by the user as required, and the pull-off force can be adjusted to suit each individual door situation.

The DORMA RF hold-open unit is non-handed and can also be supplied for retrofitting to the slide channel at a later date.



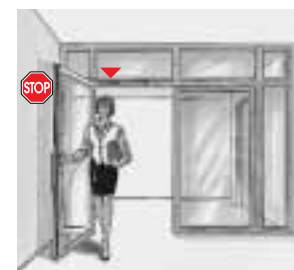
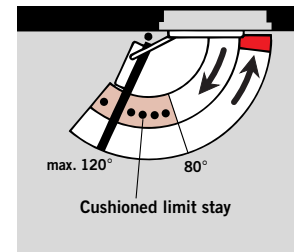
Cushioned limit stay

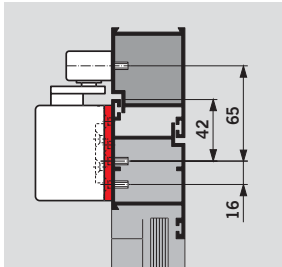


Cushioned limit stay simply slides into the slide channel. Adjustable between 80° and max. 120°. Also suitable for retrofitting.

Fitting a cushioned limit stay prevents doors which are opened normally from impacting against adjacent walls.

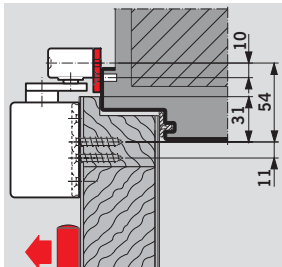
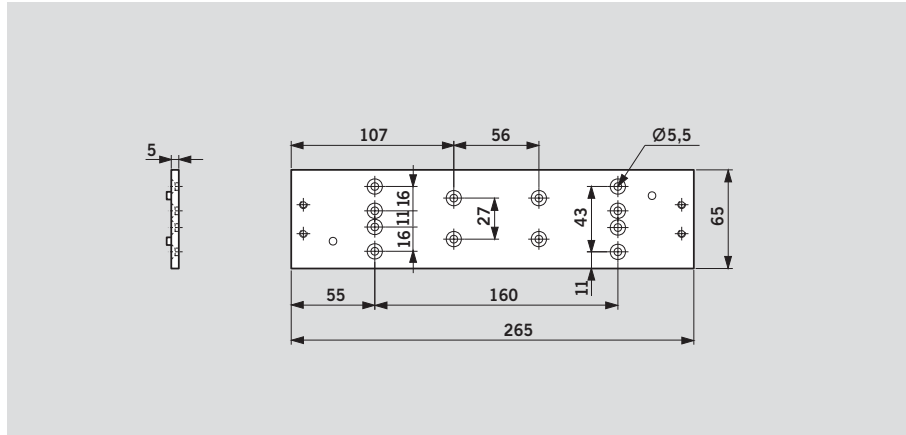
The cushioned limit stay is not an overload protection device and in many applications will not be a suitable substitute for a door stop.





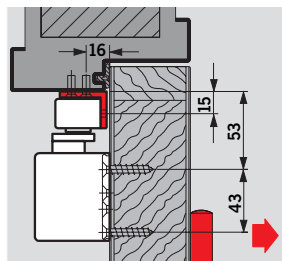
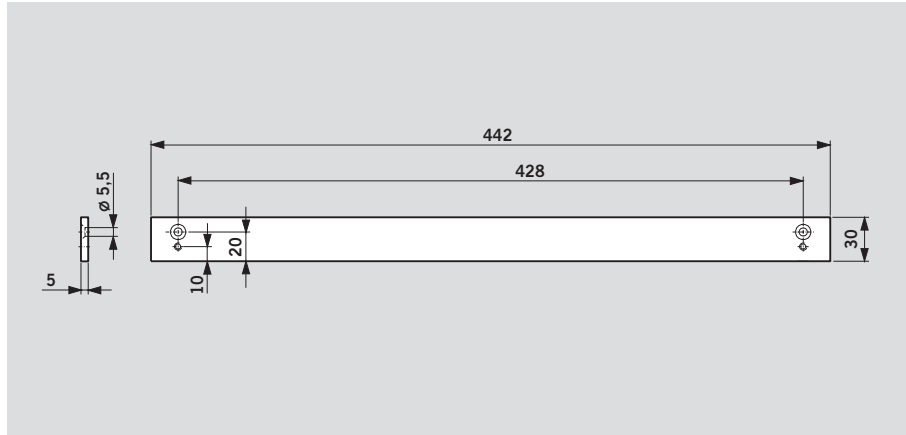
Mounting backplate for DORMA TS 91

For fixing to doors which provide no means of direct mounting.
Fixing hole pattern as per Supplement 1 to EN 1154.



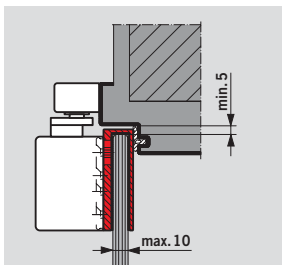
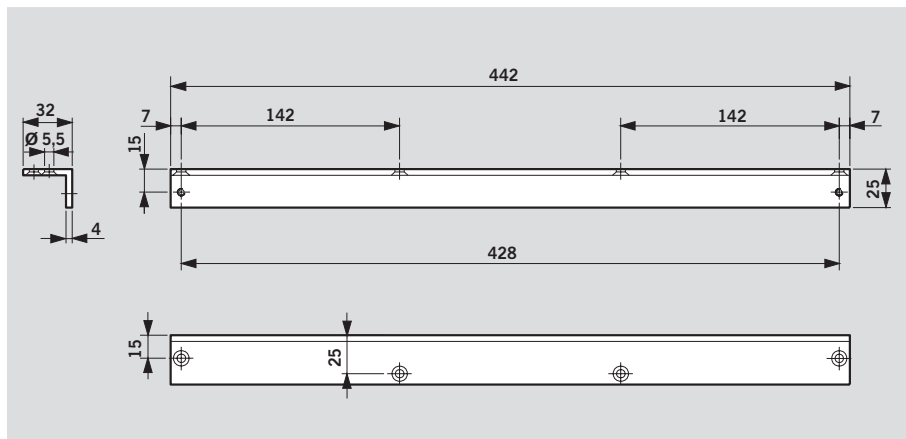
Mounting backplate for G-N

For fixing the slide channel to the door frame where there is no means of direct mounting.



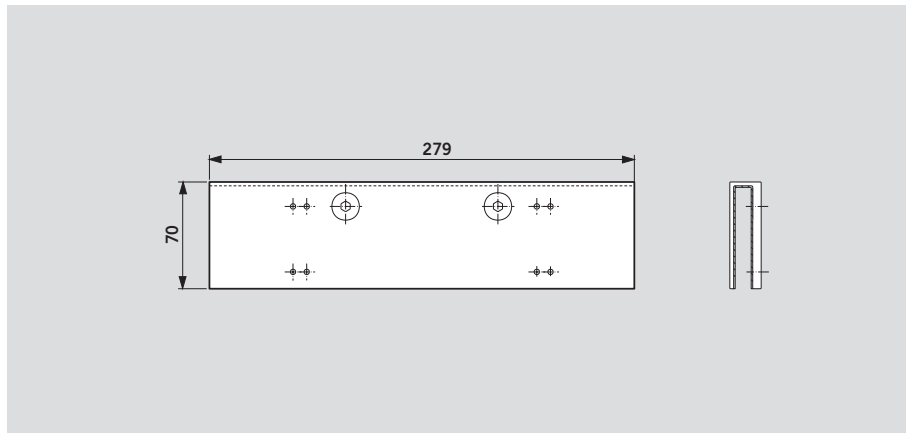
Angle bracket for G-N









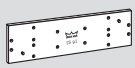

For push-side fixing of the slide channel to door frames with a deep reveal.



Glass door saddle plate for DORMA TS 92

For fixing the closer to toughened glass doors – No glass drilling or recessing required.



Standard equipment and accessories							
	Cam-action door closer TS 92 B  Size EN 2-4 ■ 110201xx	Cam-action door closer TS 92 G  Size EN 2-4 ■ 110301xx	Cam-action door closer TS 91 B  Size EN 3 ■ 100201xx	Mounting backplate for G-N  183400xx	Angle bracket for G-N  183600xx	Cushioned limit stay for G-N  35800093	Hold-open unit for G-N  18570000
Slide channel G-N  □ 180100xx	■	■	■	#	#	#	#
Mounting backplate for TS 91  100002xx			#				
Glass door saddle plate for TS 92  110001xx	#	#					

Order number:

■ = Closer body separate

□ = Arm assembly separate

= Accessory

Colour

Silver

Dark brown

White (RAL 9010)

White (RAL 9016)

xx

01

03

10

11

The TS 92 is also available in our "Design" surface finishes.

Stainless steel "Design" 04

Polished brass 05

Specification text TS 92 B/G

Cam-action door closer, CERTIFIRE approved (CF 119), in Softline design with linear drive and rapidly decreasing opening resistance/torque, adjustable closing speed in two independent ranges and mounting backplate with universal fixing hole pattern; closing force infinitely variable between size EN 2 and EN 4. Non-handed. Approved to EN 1154.

Model

TS 92 B

TS 92 G

Accessories

- Hold-open unit
- Cushioned limit stay
- Mounting backplate for G-N
- Angle bracket for G-N
- Saddle plate for toughened glass doors

Colour

- Silver
- Dark brown
- White (sim. to RAL 9010)
- White (sim. to RAL 9016)
- Stainless steel "Design"
- Polished brass
- Special colour _____ (similar to RAL _____)

Make

DORMA TS 92 B

DORMA TS 92 G

 TS92

Specification text TS 91 B

Cam-action door closer, CERTIFIRE approved (CF 119), in Softline design with linear drive and rapidly decreasing opening resistance/torque, adjustable closing speed in two independent ranges and mounting backplate with universal fixing hole pattern; closing force EN 3. Non-handed. Approved to EN 1154.

Accessories

- Hold-open unit
- Cushioned limit stay
- Mounting backplate for G-N
- Mounting backplate

Colour

- Silver
- Dark brown
- White (sim. to RAL 9010)
- White (sim. to RAL 9016)
- Special colour _____ (similar to RAL _____)

Make DORMA TS 91 B

 TS91

DORMA Door Controls Ltd.
DORMA Trading Park
Staffa Road
GB-London E10 7QX
Tel. +44 208/5 58 84 11
Fax +44 208/5 58 61 22
E-mail: hardware@dorma-a-uk.co.uk
www.dorma-uk.co.uk

DORMA Door Controls Ltd.
19, Sandyford Office Park
Foxrock
IRL-Dublin 18
Tel. +353 1/2 95 82 80
Fax +353 1/2 95 85 84
E-mail: dormadublin@dorma.com

DORMA Door Controls Pte. Ltd.
No. 2, Jalan Terusan, Jurong
Singapore 619285
Tel. +65 62687633
Fax +65 62657995

DORMA Door Controls Pty. Ltd.
P.O. Box 1092
Narre Warren Vic 3805
52 Abbott Road
Hallam/Victoria 3803
Australia
Tel. +61 3/97 96 35 55
Fax +61 3/97 96 39 55

DORMA Gulf Door Controls FZE
Jebel Ali Free Zone, Roundabout 8,
Unit VC 02
P.O. Box 17268
Jebel Ali, Dubai
United Arab Emirates
Tel. +971 48/83 90 14
Fax +971 48/83 90 15

DORMA Door Controls (Pty.) Ltd.
Kings Court
4A Mineral Crescent
2135 Southdale
ZA-2000 Crown/Gauteng
Johannesburg
Tel. +27 11/8 30 02 80
Fax +27 11/8 30 02 91

DORMA GmbH + Co. KG
P.O. Box 40 09
D-58247 Ennepetal
Breckerfelder Straße 42-48
D-58256 Ennepetal
Germany
Tel. +49(0)23 33/7 93-0
Fax +49(0)23 33/79 34 95

The address of a subsidiary/
representation in your area you
can find at the DORMA website:
www.dorma.com